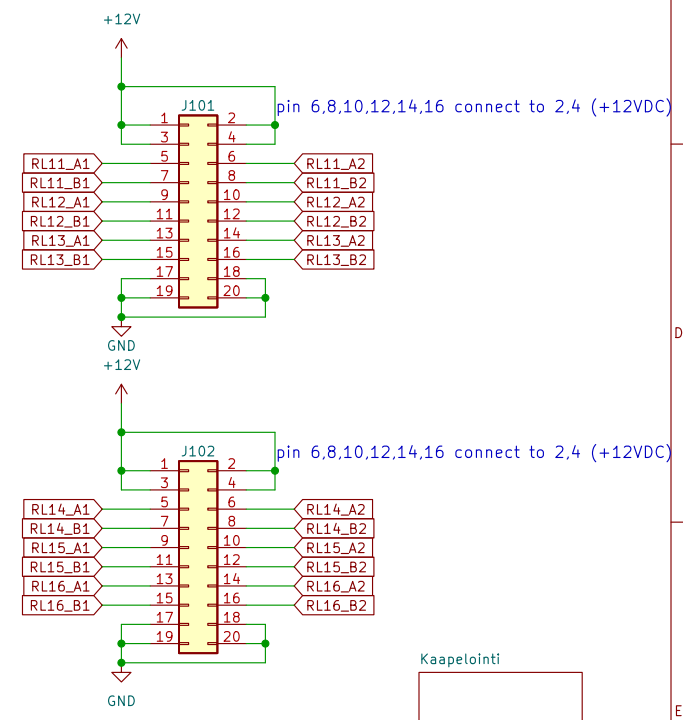
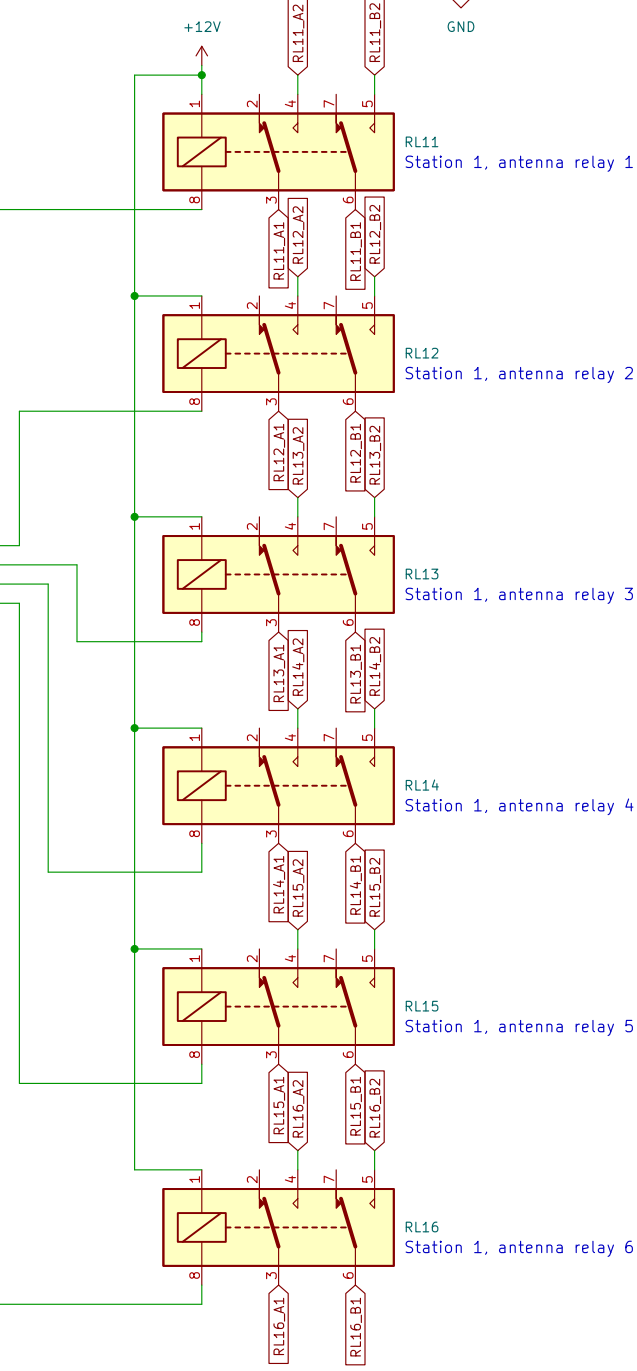
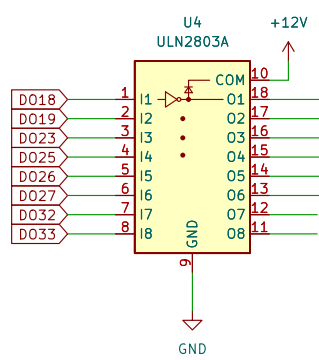
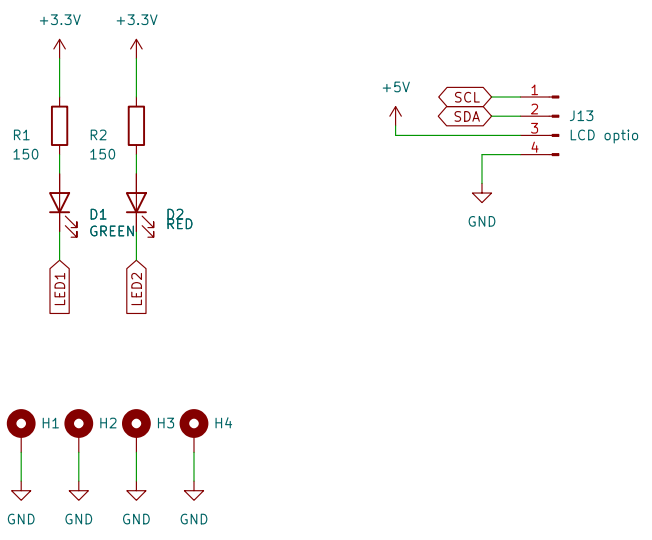
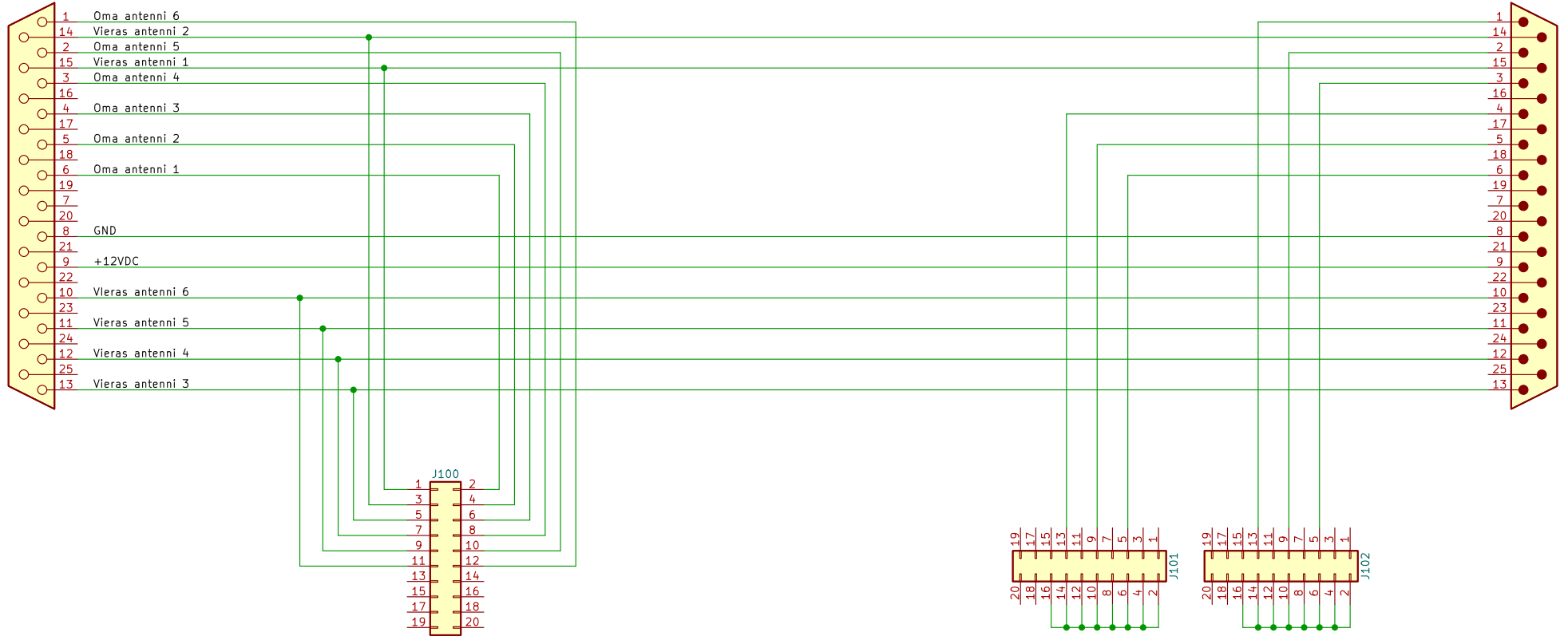


**J100 connector, input 12VDC**  
 2,4,6,8,10,12 = Station 1 antennarelay indication  
 1,3,5,7,9,11 = Station 2 antennarelay indication  
 13,14,15,16 = reserved for BCD-code input  
 18-17 = Manual local-mode button  
 20-19 = Manual remote-mode button



J201\_NAARAS\_KÄYTTÖLAITTEELTA  
DB25\_Female

J202\_UR05\_RELBOXILLE  
DB25\_Male



Oskola Compinat / OH7FAE

Sheet: /Kaapelointi/  
File: Kaapelointi.kicad\_sch

**Title: Antenna controller OH7WP**

Size: A4 Date: 2022-12-17  
KiCad E.D.A. kicad (6.0.10)

Rev: V1.0  
Id: 2/2